

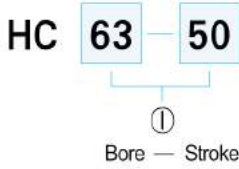
Air Hydro Converter

(Series HC)

Bore size ϕ 63, ϕ 100, ϕ 160

KS Symbol 

How to order



① Bore size — Standard stroke of oil slick (mm)

ϕ 63	50, 100, 150, 200, 250, 300, 400, 500, 600
ϕ 100	50, 100, 150, 200, 250, 300, 400, 500, 600
ϕ 160	100, 200, 300, 400, 500, 600, 700, 800

Effective capacity of converter

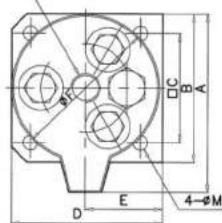
Converter Bore size(mm)	Standard stroke of oil slick(mm)												Limited flux (ℓ /min)
	50	100	150	200	250	300	400	500	600	700	800		
ϕ 63	150	300	450	600	740	890	1190	1480	1780	-	-	36	
ϕ 100	370	750	1120	1519	1870	2260	3010	3770	4520	-	-	88	
ϕ 160	-	1830	-	3660	-	5490	7320	9150	12810	14640	2178	217	



Specifications

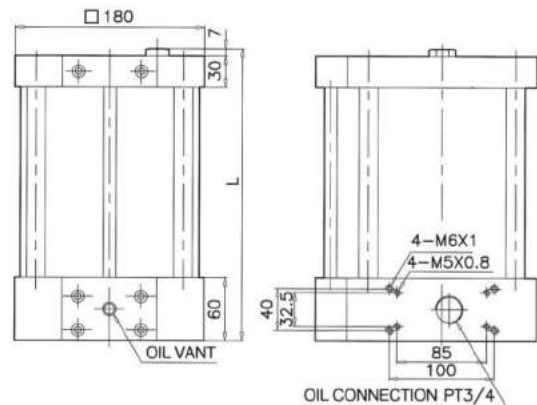
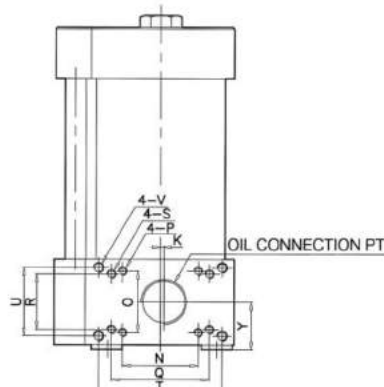
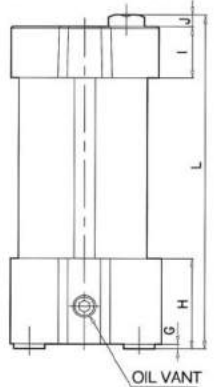
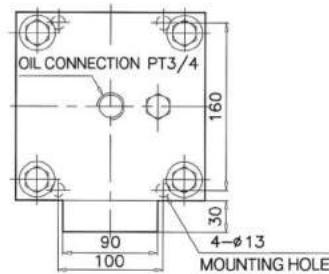
Air pressure	0~7 kgf/cm ² (700kPa)
Proof pressure	10.5kgf/cm ² (1050kPa)
Ambient and fluid temperature	5~50°C
Fluid	Turbine oil(40~100cst)

OIL CONNECTION PT



HC63, 100

HC160



Model	Dimensions	Air connectorPT	Oil connectorPT	A	B	C	4- ϕ M	D	E	ϕ F	G	H	I
HC63	3/8	3/4	105	87	64	ϕ 8.5	88	45	86	3	53	30	
HC100	1/2	3/4	152	127	95.5	ϕ 13	136	72	130	7	63	36	

Model	Dimensions	J	K	N	O	4-P	Q	R	4-S	T	U	4-V	Y
HC63	7	2	72	36	M5×0.8	-	-	-	-	-	-	-	28
HC100	7	8	72	36	M5×0.8	85	32.5	M5×0.8	100	40	M6×1	35	

L	STROKE	50	100	150	200	250	300	400	500	600
HC63		245.5	295.5	345.5	395.5	445.5	495.5	595.5	695.5	795.5
HC100		255	305	355	405	455	505	605	705	805

STROKE	100	200	300	400	500	600	700	800
L	272	412	552	662	802	922	1042	1152