

Manifold Block

3-port Solenoid Valve / Direct Poppet

MV290 Series

HOW TO ORDER

MV290 - 05 - C4 - V

STATIONS ●

02	2 Stations
⋮	⋮
20	20 Stations

● PIPING

-	Horizontal type
V	Vertical type

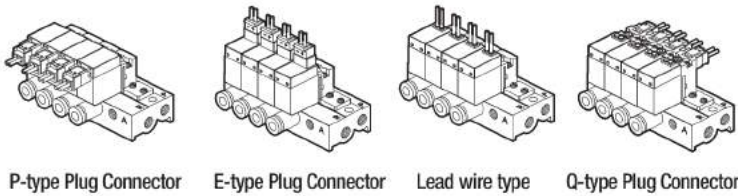
● PORT SIZE A(2)

C4	One-touch fitting for $\varnothing 4$
M5	M5 thread

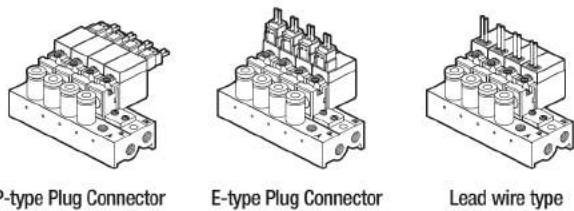
MANIFOLD SPECIFICATIONS

MODEL		MV290
Port P(1) / R(3) style		Common SUP / Common EXH
Valve stations		2-20 Stations
Port Size	P(1), R(3)	M5×0.8
	A(2)	C4, M5×0.8

Horizontal type (MV290-05-C4)

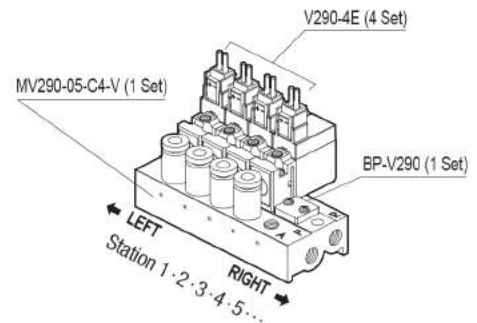


Vertical type (MV290-05-C4-V)



HOW TO ORDER MANIFOLD ASSEMBLY (Example)

- MV290-05-C4-V: Horizontal 5-station manifold (1 Set)
- V290-4E: Valve (4 Set)
- BP-V290: Blank plate (1 Set)



Model	Stations	1	2	3	4	5	6	·	·	·
V290-□P										
V290-□E		○	○	○	○					
V290-□Q										
V290-□L										
LV290-4E										
UV280-□Q										
UV280-□E										
BP-V290						○				
Manifold Block										MV290-05-C4-V

MANIFOLD ASSEMBLY FORM

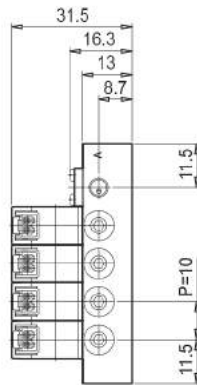
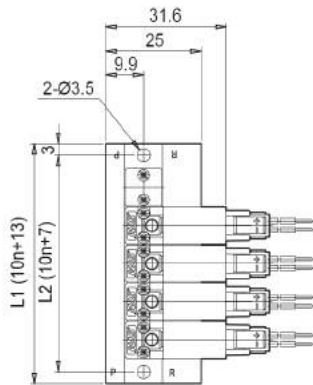
← LEFT

RIGHT →

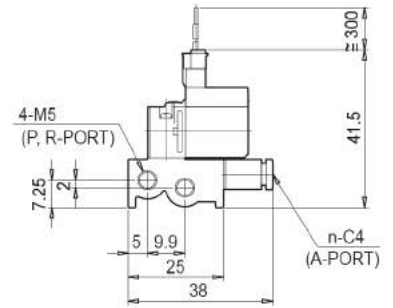
Model	Stations	02	03	04	05	06	07	08	09	10	11	12	13	14	15	16	17	18	19	20	·	·	·
V290-□P																							
V290-□E																							
V290-□Q																							
V290-□L																							
LV290-4E																							
UV280-□Q																							
UV280-□E																							
BP-V290																							
Manifold Block																							

MV290-05-C4

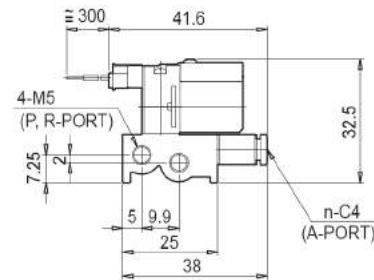
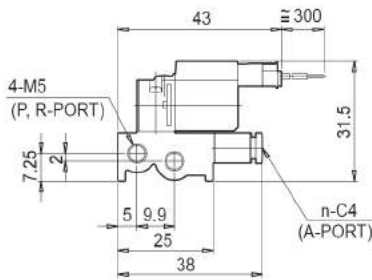
P-type Plug Connector



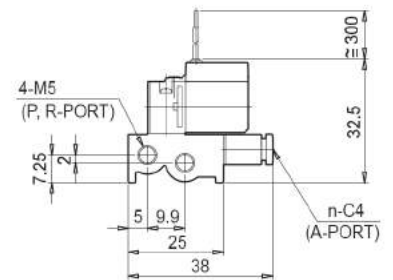
E-type Plug Connector



Q-type Plug Connector



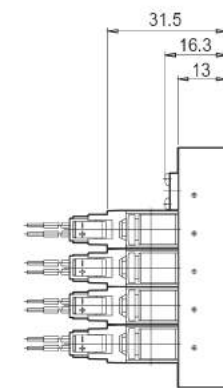
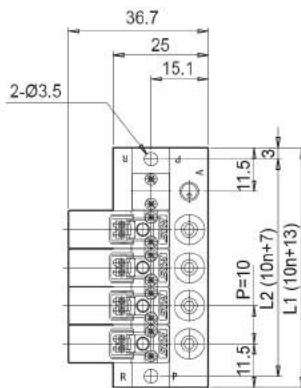
Lead wire type (L)



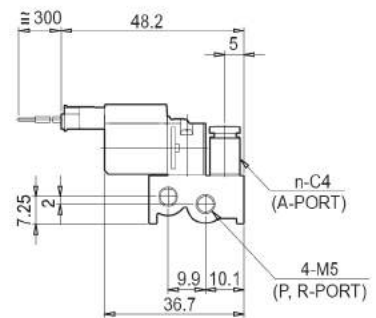
L	n	02	03	04	05	06	07	08	09	10	11	12	13	14	15	16	17	18	19	20	...
L1		33	43	53	63	73	83	93	103	113	123	133	143	153	163	173	183	193	203	213	...
L2		27	37	47	57	67	77	87	97	107	117	127	137	147	157	167	177	187	197	207	...

MV290-05-C4-V

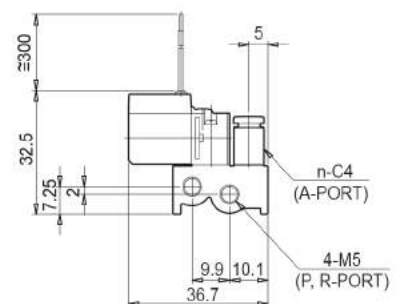
E-type Plug Connector



P-type Plug Connector



Lead wire type (L)



Manifold Block

2-port Solenoid Valve / Direct Poppet

MV200 Series

HOW TO ORDER

MV200 - 04 - C6 - V

STATIONS

02	2 Stations
...	...
20	20 Stations

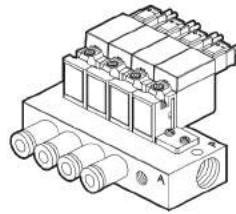
PORT SIZE

M5	M5 thread
C4	One-touch fitting for Ø4
C6	One-touch fitting for Ø6

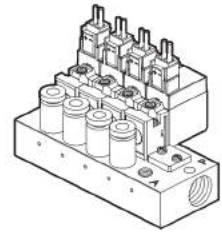
-	Horizontal type
V	Vertical type

MANIFOLD SPECIFICATIONS

MODEL	MV200 Series
Port P(1)	Common SUP / Common EXH
Valve stations	2-20 stations
Port size	P-port: Rc (PT) 1/8
	A-port: M5×0.8
A(2) Port	C4, C6, M5



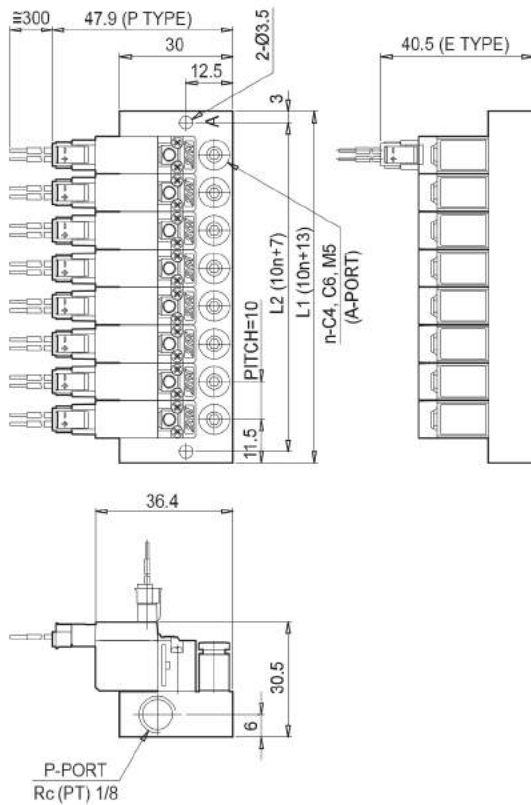
Horizontal type



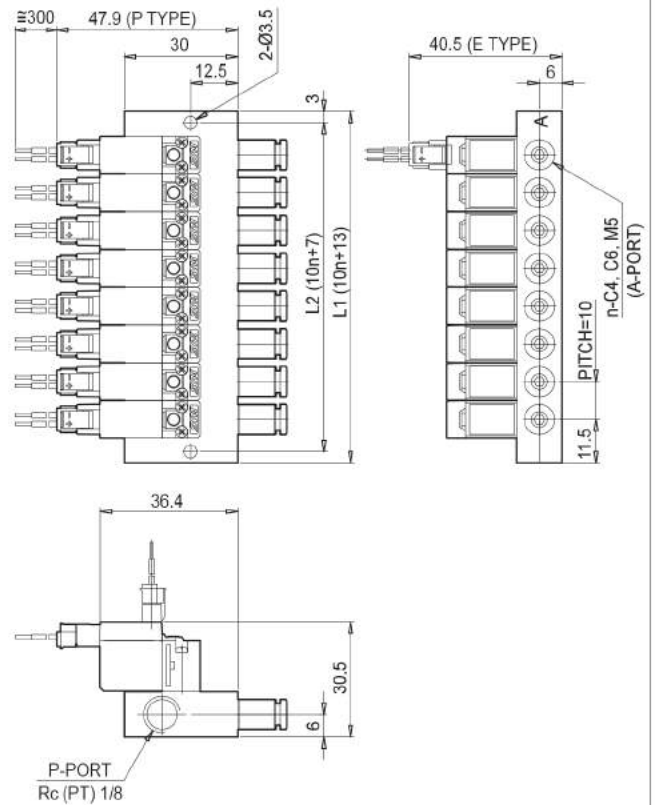
Vertical type

DIMENSIONS

MV200-08-C4-V



MV200-08-C4



L	n	02	03	04	05	06	07	08	09	10	11	12	13	14	15	16	17	18	19	20	...
L1		33	43	53	63	73	83	93	103	113	123	133	143	153	163	173	183	193	203	213	...
L2		27	37	47	57	67	77	87	97	107	117	127	137	147	157	167	177	187	197	207	...

Manifold Block

3-port Solenoid Valve / Direct Poppet

MV190 Series

HOW TO ORDER

MV190 - 05 - C3

STATIONS

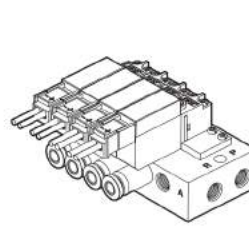
02	2 Stations
⋮	⋮
20	20 Stations

PORT SIZE

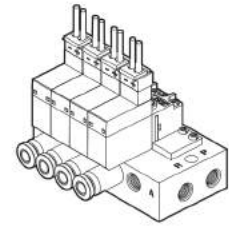
C3	One-touch fitting for Ø3
M5	M5 thread

MANIFOLD SPECIFICATIONS

MODEL	MV190	
P(1)-R(3) style	Common SUP / Common EXH	
Valve stations	2-20 Stations	
Port Size	P(1), R(3)	M5×0.8
	A(2)	C3, M5×0.8



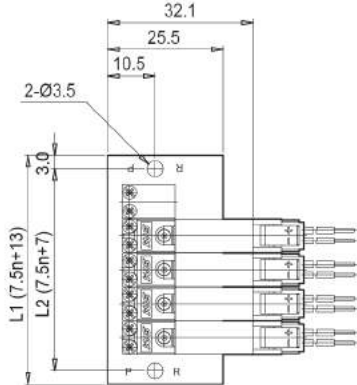
P-type Plug Connector



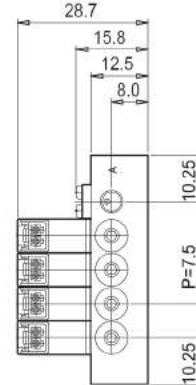
E-type Plug Connector

DIMENSIONS

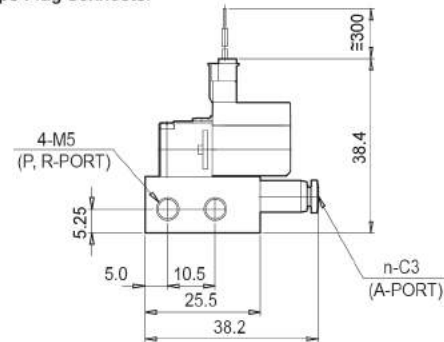
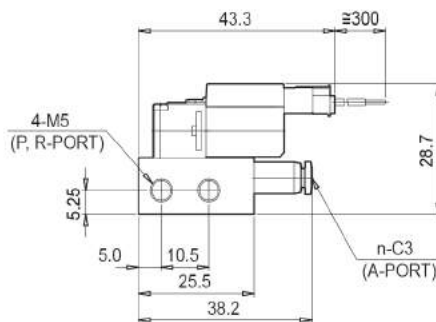
MV190 - 05 - C3



P-type Plug Connector



E-type Plug Connector



L	n	02	03	04	05	06	07	08	09	10	11	12	13	14	15	16	17	18	19	20	...
L1		22	29.5	37	44.5	52	59.5	67	74.5	82	89.5	97	104.5	112	119.5	127	134.5	142	149.5	157	...
L2		28	35.5	43	50.5	58	65.5	73	80.5	88	95.5	103	110.5	118	125.5	133	140.5	148	155.5	163	...