

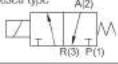
V190 Series

3-port Solenoid Valve / Direct Poppet

HOW TO ORDER

V 1 9 0 - 4 P - M5

ACTUATION

9	Normally closed type	
---	----------------------	---

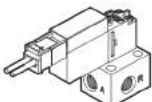
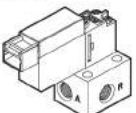
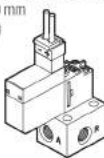
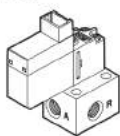
POWER CONSUMPTION

	Power Consumption	Effective Area
-	0.7W (standard type)	0.2 mm ²
Y	0.35W (low-watt type)	0.15 mm ²

COIL RATED VOLTAGE

3	DC 12V
4	DC 24V
6	DC 6V
9	Special orders

CONNECTOR

P	P-type Plug Connector (with 300 mm lead wire)		PN	P-type Plug Connector (no connector)	
E	E-type Plug Connector (with 300 mm lead wire)		EN	E-type Plug Connector (no connector)	

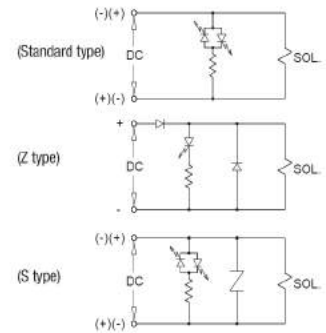
PORT SIZE

-	Without sub-base
M5	With sub-base

LAMP AND SURGE VOLTAGE SUPPRESSOR

-	Standard type (Non-polar)
Z	Polar lamp - with Diode (DC)
S	Non-polar lamp - with surge voltage suppressor (DC)

DC Circuit Diagram



HOW TO ORDER CONNECTOR

CA2 - V4 - 6

COIL RATED VOLTAGE

V4	DC voltage
----	------------

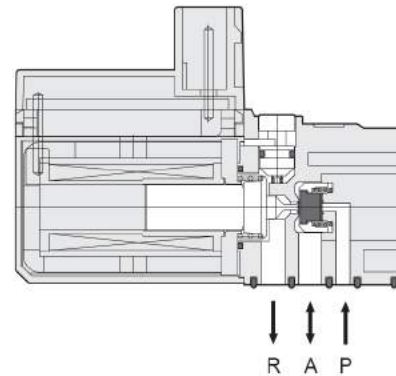
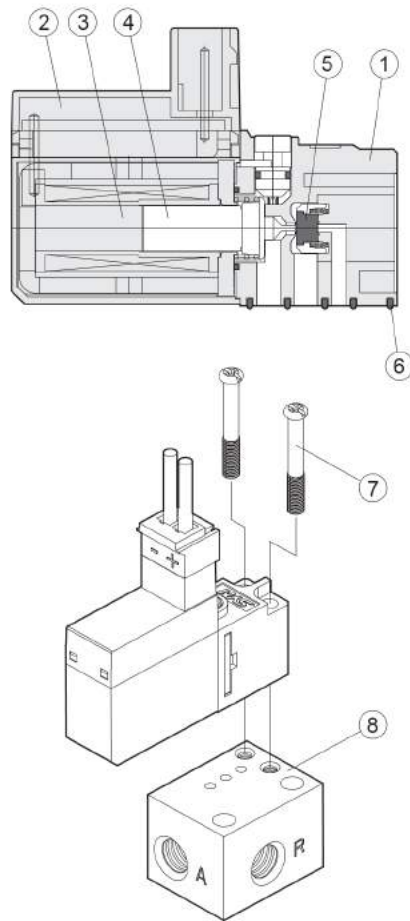
LEAD WIRE LENGTH

-	300 mm
6	600 mm
10	1,000 mm
15	1,500 mm
20	2,000 mm
25	2,500 mm
30	3,000 mm
50	5,000 mm

V190 (Normally closed)

NORMAL

ENERGIZED



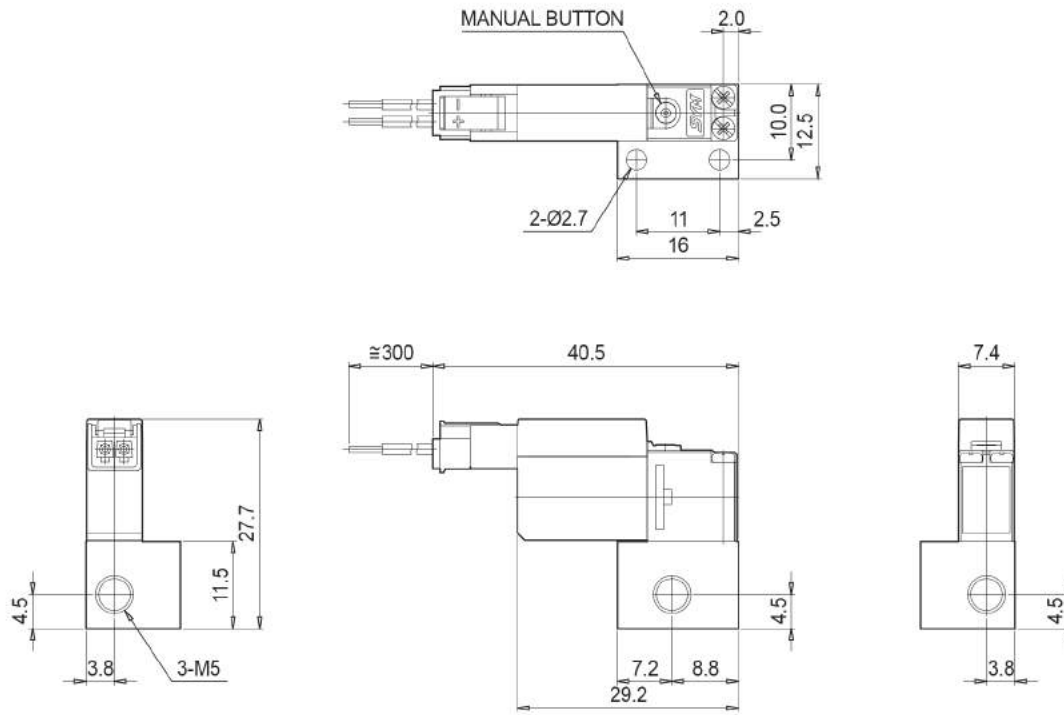
No.	Part's name	Material
①	BODY	PLASTIC
②	COIL ASSY	-
③	FIXED CORE	SUS
④	MOVING CORE	SUS
⑤	POPPET	NBR
⑥	GASKET	NBR
⑦	SCREW	-
⑧	BASE	AL

■ SPECIFICATIONS

Items		Model	V190 (Standard type)	V190Y (Low-watt type)
Valve structure			Direct-acting poppet type	
Fluid			Air or inert gas	
Pressure range			0~0.7 MPa (0~7.1 kgf/cm ²)	
Effective area	P(1) → A(2)		0.2 mm ²	0.15 mm ²
	A(2) → R(3)		0.2 mm ²	0.15 mm ²
Ambient and fluid temperature			Max. 50°C	
Response time			5 ms or less	
Lubrication			Not required	
Manual operation			Push Type	
Shock / Vibration resistance			150/30 (m/s ²)	
Protection structure			Dust proof	
Coil rated voltage			DC 6V, 12V, 24V	
Allowable voltage			±10% of rated voltage	
Coil insulation			Class B or equivalent(130°C)	
Power consumption (Current)			0.7W	0.35W

V190-4 P-M5

P-type Plug Connector



V190-4 E-M5

E-type Plug Connector

