

V200 Series

2-port Solenoid Valve / Direct Poppet

HOW TO ORDER

L **V200** - **4** **P** - **M5**

LATCHING TYPE

USING TYPE

-	Static pressure
V	Vacuum

COIL RATED VOLTAGE

1	AC 110V
2	AC 220V
3	DC 12V
4	DC 24V
6	DC 6V
9	Special orders

PORT SIZE

M5	SUB BASE (without fitting)	
C4/C6	SUB BASE (with one-touch fitting for Ø4, Ø6)	

CONNECTOR

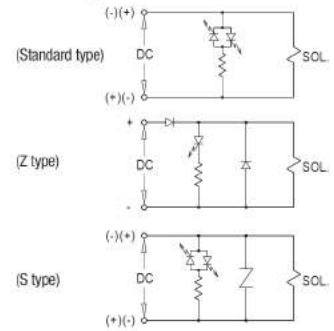
P	P-type Plug Connector (with 300 mm lead wire)		PN	P-type Plug Connector (no connector)	
E	E-type Plug Connector (with 300 mm lead wire)		EN	E-type Plug Connector (no connector)	

Latching type (LV200V) is available only for E-type (DC voltage).

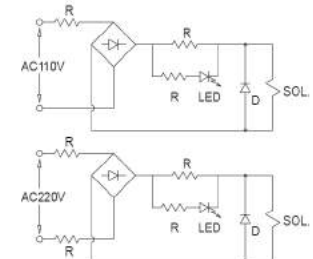
LAMP AND SURGE VOLTAGE SUPPRESSOR

-	Standard type (Non-polar)
Z	Polar lamp - with Diode (DC)
S	Non-polar lamp - with surge voltage suppressor (DC)

DC Circuit Diagram



AC Circuit Diagram



HOW TO ORDER CONNECTOR

CA2 - **V4**

Connector assembly

6

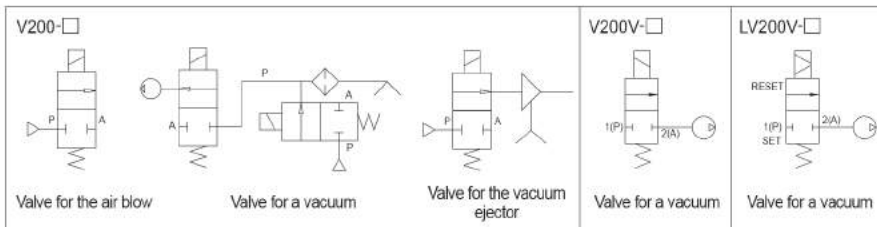
LEAD WIRE LENGTH

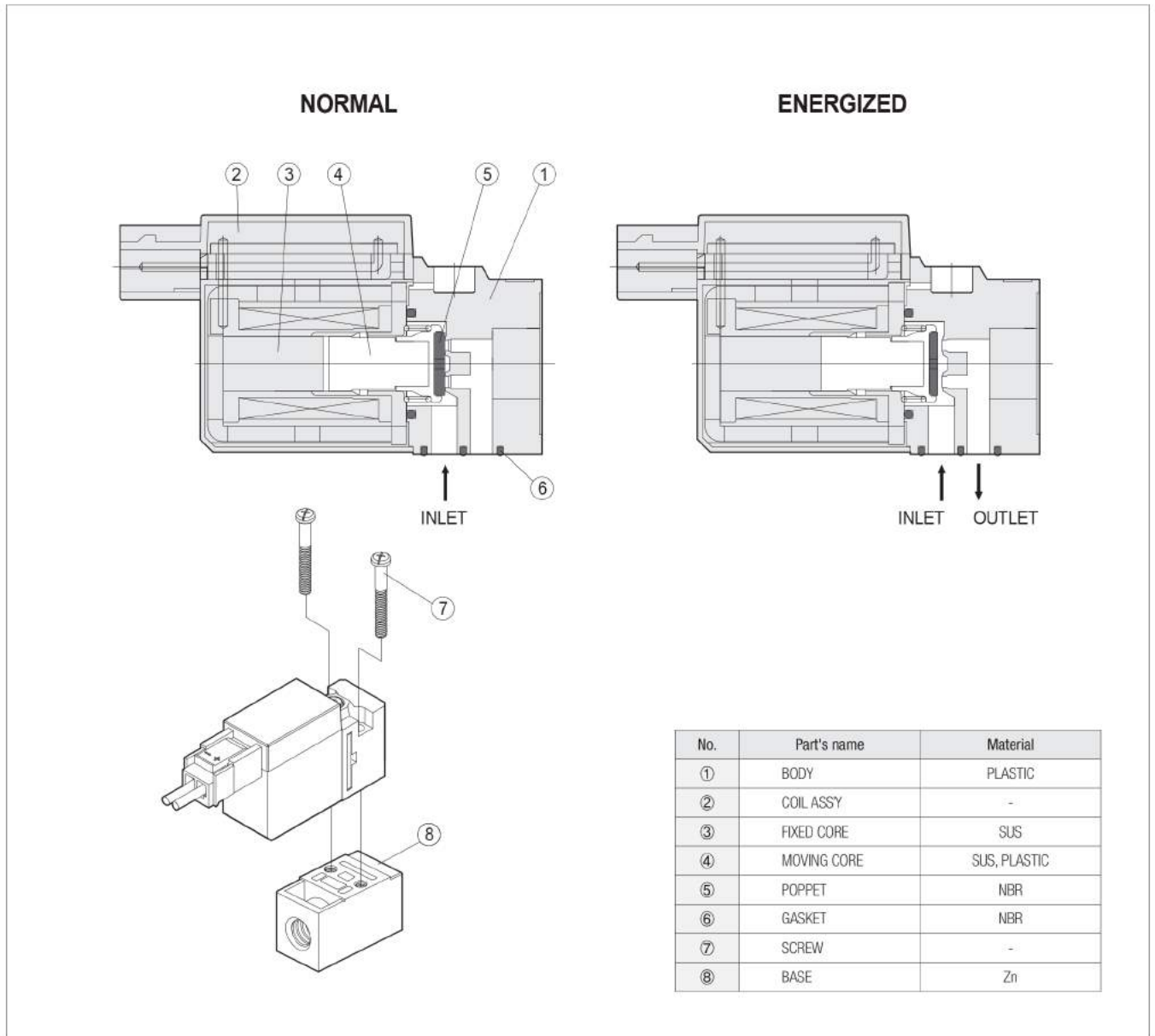
-	300 mm
6	600 mm
10	1,000 mm
15	1,500 mm
20	2,000 mm
25	2,500 mm
30	3,000 mm
50	5,000 mm

COIL RATED VOLTAGE

V1	AC 110V
V2	AC 220V
V4	DC voltage

EX) USE OF THE VALVE





■ SPECIFICATIONS

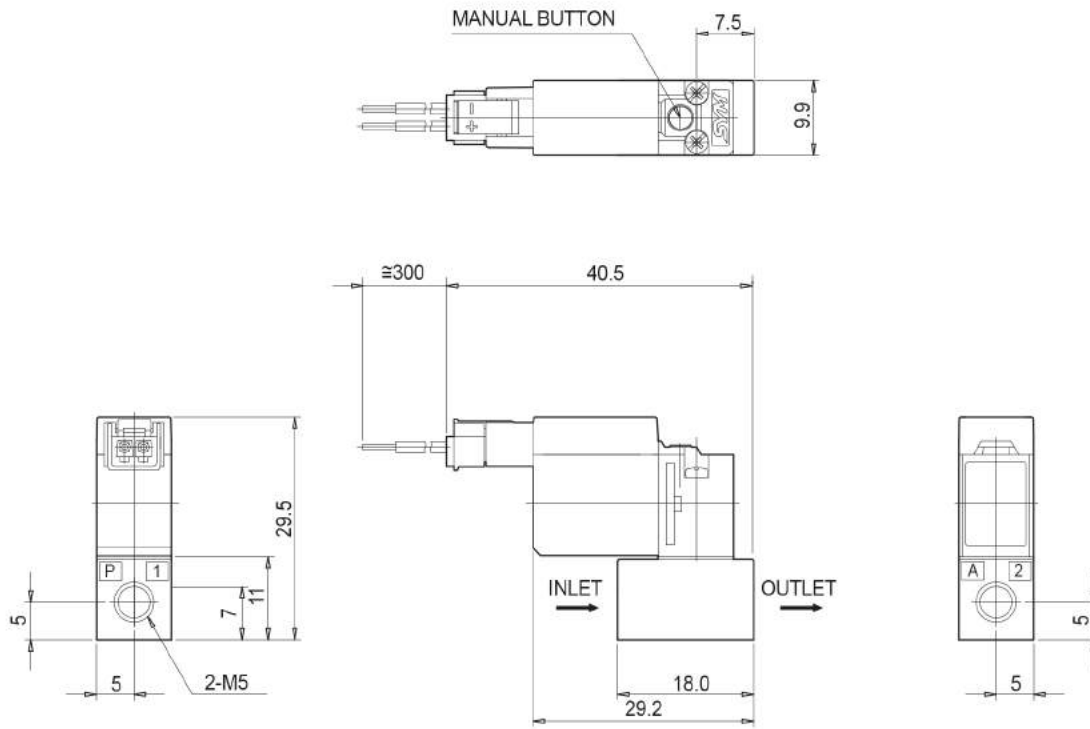
Items	Model	Static Pressure		Vacuum ¹⁾	
		V200	V200V	V200V	LV200V
Valve structure		Direct-acting Poppet type			
Fluid		Air or inert gas			
Pressure range		0~0.7 MPa (0~7.1 kgf/cm ²)	-100 kPa~0.2 MPa (0~2.0 kgf/cm ²)	-100 kPa~0.1 MPa (-0.1~1.0 kgf/cm ²)	
Effective area	P(1) → A(2)	1.5 mm ² (Cv 0.083)			
Ambient and fluid temperature		Max. 50°C ²⁾			
Response time		6 ms or less			
Lubrication		Not required			
Manual operation		Push type			
Shock / Vibration resistance		150/30 (m/s ²)			
Protection structure		Dust proof			
Coil rated voltage		DC 6V, 12V, 24V / AC 110V, 220V			DC 24V
Allowable voltage		±10% of rated voltage			
Coil insulation		Class B or equivalent (130°C)			
Power consumption		DC: 1W / AC 110V: 1.0VA / AC 220V: 2.0VA			SET: 0.85W / RESET: 0.7W

1) When you use vacuum valves, the vacuum should be connected to the OULET side.

2) There should be a measure to prevent freezing and dew condensation at a low temperature below 5°C.

V200 □ -4P □ -M5

P-type Plug Connector



V200 □ -4E □ -M5

E-type Plug Connector

